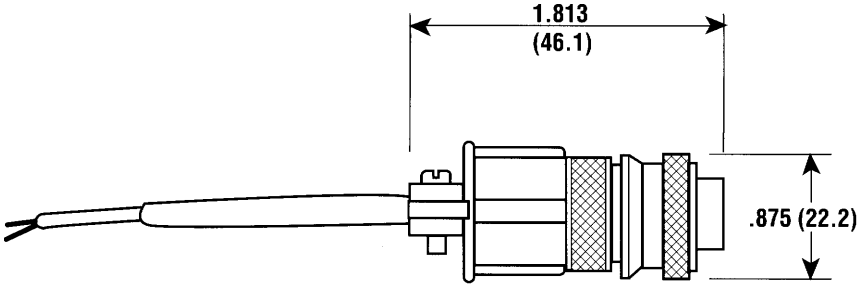


Groups A & B (Straight)

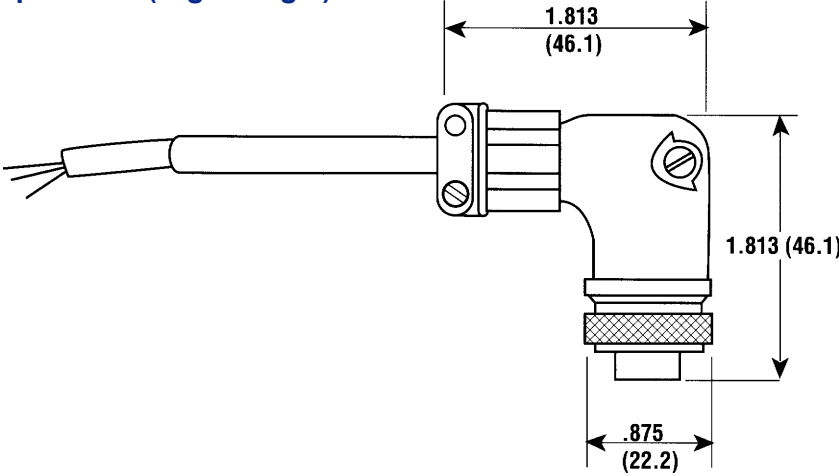


Group A Pins



Group A
PIN A = Black
PIN B = Red

Groups A & B (Right Angle)



Group B Pins



Group B
PIN A = Red
PIN B = White
PIN C = Black