

# DPA248.144

## 2 Outputs with AS-Interface data decoupling DIN Rail Power Supply, 240 Watt



- High efficiency: 88%
- ACin 115/230V manual switch
- WxHxD = 120x134x120mm
- Integrated data decoupling for Vout1 and Vout2
- Meets EMV standards: EN 50081-1, EN 50082-2, NAMUR, IEC 1000-4 (IEC 801), VDE 0160/2 and VDE 0871/B
- Design meets VDE 0551
- Both outputs with double terminals



### Preliminary data sheet

### Power Supply DPA248.144

The DPA248.144 is a very compact power supply designed for fieldbus applications in which power and data share the same twisted-pair.

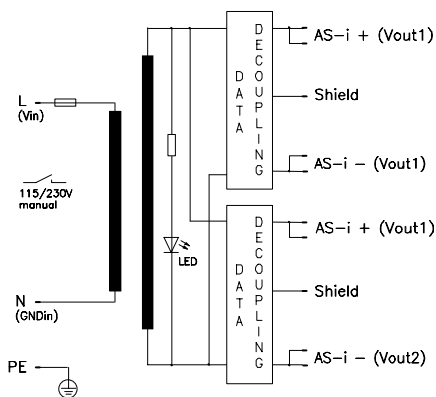
The unit supplies power, decouples data from the power supply, and makes the two cables symmetrical with respect to the shield terminal. The decoupling allows the use of unshielded cables.

The PELV output circuits have electronic protection against overload and short-circuit. Isolation is equivalent to safety transformers as specified in VDE 0551.

Vout	Iout	Pout	Features	Order-No.	
Vout1	30.55V	4A	122W	OVP	DPA248.144
Vout2	30.55V	4A	122W		

Warranty: 2 years from date of delivery.

Schematic



### Output

Voltage Vout1	30.55V	Fixed.
Vout2	30.55V	Fixed.
Accuracy	max. ± 3%	includes: production-adjustment, line regulation, and load regulation.
Minimum load	None	Not necessary.
Output power Pout	max. 240W	Mounting side by side possible.
Noise, Ripple	max. 50mVpp	0...20MHz, constant current or R-load.
Modulation voltage	max. 5.6Vrms	Analogous 16Vpp sine.
Over-voltage protection	typ. 35V	Threshold accuracy ± 4%.
Derating	5W/K	+60° bis +70°C Ta.
Operating indicator	2 green LEDs	On the front.
Output circuit	PELV	VDE 0106.
Safety		VDE 0106, EN 60 950, VDE 0805.
All outputs are protected against open-circuit, short-circuit, and overload.		

**Mechanical:** Al/Mg alloy housing, snap-on mounting for DIN rail TS35/7.5 (EN 55022), WxHxD = 120 x 134 x 120mm, the depth includes the DIN-rail mounting.

**Weight:** App. 1150g.

**Screw terminals:** Input 1 terminal, max. 2,5/4mm<sup>2</sup>, Output 2 terminals, each max. 2.5/4mm<sup>2</sup>.

### Input

Line input 1	100...127V AC	Switch position 115V.
• Range	88...132V AC	Full spec.
	80...150V AC	Derated.
Line input 2	220...240V AC	Switch position 230V.
• Range	187...264V AC	Full spec.
	150...300V AC	Derated.
Line frequency	47...63Hz	DC or 400Hz.
Input current	max. 6.0Aeff. / 2.8Aeff.	@ 115 / 230V AC.
Noise suppression	EN 55 022/B	

Specifications are valid at 230V AC, unless otherwise stated. They are subject to change without prior notice.