



BATTERY MODULES

A modular concept allows the user to meet individual application demands and is available with two different options:

You can order the module with an assembled battery or you can choose only the bracket allowing the mounting of individual batteries. The mounting bracket allows the battery to be assembled just in time avoiding outdated batteries due to limited shelf life.

- ? Long life battery: 10 to 12 years
- ? Easy access to the terminals and the fuse

DATA

Battery	
Maintenance free valve regulated lead acid battery	
Battery voltage	nom 12Vdc
Battery capacity	nom 26Ah
Self-discharge	typ 3%/ month at 20°C
Design life (EUROBAT)	10 to 12 years
Fuse	
Blade terminal fuse	nom 30A ATO (257 030 Littelfuse)
Terminals and Wiring	
Type	Screw terminals
Solid wire	nom 2.5-4mm ²
Stranded wire	nom 2.5-4mm ²
American wire gauge	max 12 AWG
Wire stripping length	nom 7mm / 0.275"
Tightening torque	nom 0.8Nm / 7lb.in
Ambient Temperature	
Operation	min +0°C to +40°C
Storage and transport	min -20°C to +50°C
Dimensions and Weight (UZK12.261)	
Width	nom 214 mm / 8.43"
Height	nom 179 mm / 7.05"
Depth	nom 158 mm / 6.22"
Weight	max 9920g / 21.83lb

DATA

Instructions for Use and Disposal of the Battery

- Place the battery module outside the cabinet or in the coolest area when used inside the cabinet.
- Use wires no smaller than 2.5mm² (or 12 AWG) and not longer than 2x1.5m (cord length 1.5m).
- Disconnect battery fuse before working on the battery or on the DC-UPS.
- For storage, installation and operation, the requirements of the EN 50272-2 as well as other national regulations must be observed.
- Ensure sufficient ventilation for the battery.
- Always dispose the batteries through a recycling organisation. Batteries must be completely discharged before recycling.





Warranty

3 Year limited warranty except battery as battery is considered as a service part. Special conditions are part of our general terms and conditions. Do not store the battery longer than 9 month without supplementary charge or performance might change.

ORDER NUMBERS

UZK12.261	Battery module
UZO12.26	Mounting kit without battery
UZB12.261	Battery replacement

MARKINGS



 Battery, terminal block, cables, fuse and fuse holder are UL-approved components.

Marine, pending

PHYSICAL DIMENSIONS

Fig. 1 Front view

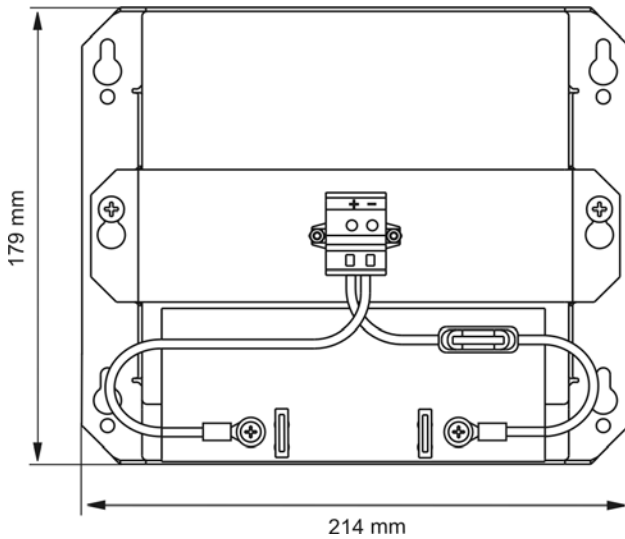
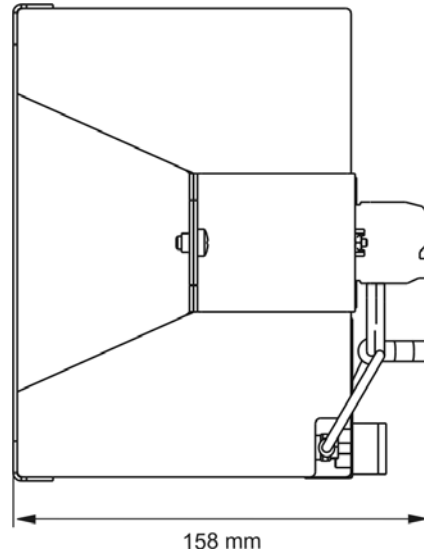


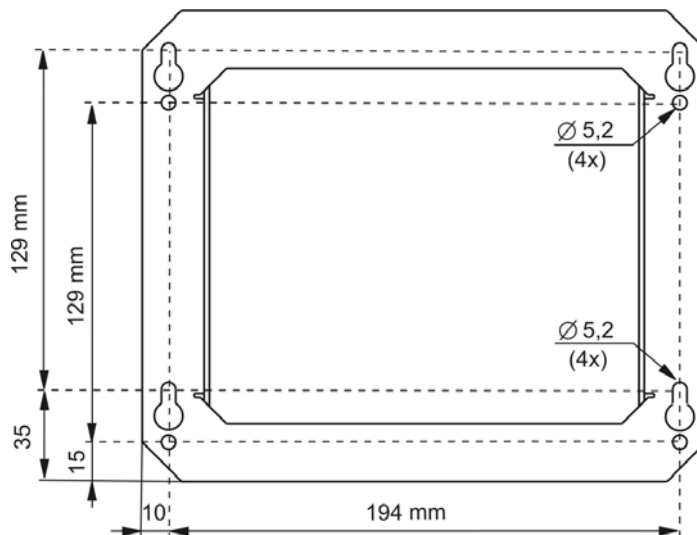
Fig. 2 Side view



PANEL /WALL MOUNTING

The battery module can be mounted in upright or table-top position.

Fig. 2 Hole pattern



September 2006 / Rev. 1.0 / DS-UZK12.261-EN / All parameters are specified at 25°C ambient unless otherwise noted.
The information presented in this datasheet is believed to be accurate and reliable and may change without notice