

DECOUPLING MODULE

- ? Dual input, single output
- ? Two diodes (common cathode)
- ? Rugged metal housing
- ? Width only 32mm
- ? Cost effective solution to build redundant systems
- ? 10-60V Wide-range input
- ? 20A Continuous output current
- ? Easy wiring;
Distribution terminals for negative pole included
- ? Quick-connect spring-clamp terminals
- ? 3 Year warranty

1. GENERAL DESCRIPTION

The YR2.DIODE is a decoupling module, which can be used for various purposes. The most popular application is to configure a highly reliable and true redundant power supply systems.

Another interesting application is the separation of sensitive loads from non-sensitive loads. This avoids the distortion of the power quality for the sensitive loads which can cause controller failures.

The YR2.DIODE is the perfect solution to use in a redundant system, if the power supply itself is equipped with a DC-OK signal (e.g.: DIMENSION Q-Series).

Alongside with the YR2.DIODE, there exists the YRM2.DIODE which has a monitoring circuitry included. LEDs and relay contacts signal when one of the two DC-input voltages is not in range due to a non-functioning power supply.

Unique quick-connect spring-clamp terminals allow a safe and fast installation and a large international approval package for a variety of applications makes this unit suitable for nearly every situation.

2. SHORT-FORM DATA

Input voltage	DC 24V	
Input voltage range	10-60Vdc	
Input current	2x 12.5A 2x 10A 1x 20A	1+1 Redundancy N+1 Redundancy Single use
Output current	max. 20A max. 25A	Normal mode Overload / short-circuit
Input to output voltage drop	typ. 0.85V	At 20A output current
Power losses	0 W 17W	At no load At 20A output current
Temperature range	-25°C to +70°C	Operational
Derating	0.5A/°C	+60 to +70°C
Dimensions	32x124x102mm	WxHxD

3. ORDER NUMBERS

Decoupling Module	YR2.DIODE	Dual input / single output
Accessory	ZM1.WALL	Wall / panel mount bracket
	ZM11.SIDE	Side mount bracket

4. MARKINGS



INDEX PAGE

1. General Description	1
2. Short-form Data	1
3. Order Numbers	1
4. Markings	1
5. Input and Output Characteristics	3
6. Power Losses	4
7. Reliability	4
8. Functional Diagram	5
9. Front Side and User Elements	5
10. Terminals and Wiring	6
11. EMC	6
12. Environment	7
13. Protection Features	8
14. Safety	8
15. Dielectric Strength	8
16. Approvals	9

INDEX PAGE



17. Fulfilled Standards	9
18. Used Substances	9
19. Physical Dimensions and Weight	10
20. Installation and Operation Instructions	10
21. Accessory	11
22. Application Notes	12
22.1. Recommendations for Redundancy	12
22.2. 1+1 Redundancy up to 10A	12
22.3. 1+1 Redundancy up to 20A	13
22.4. N+1 Redundancy, Example with 20A	13
22.5. Battery Back-up	14
22.6. Redundancy for Sensitive Loads	14
22.7. Decoupling of Buffered Branches	15
22.8. Use in a Tightly Sealed Enclosure	15
22.9. Mounting Orientations	16

INTENDED USE

The decoupling module shall only be installed and put into operation by qualified personnel.

This decoupling module is designed for installation in an enclosure and is intended for the general use, such as in industrial control, office, communication, and instrumentation equipment. Do not use this device in aircraft, trains and nuclear equipment, where malfunctioning of the power supply may cause severe personal injury or threaten human life.

TERMINOLOGY AND ABBREVIATIONS

PE and  symbol	PE is the abbreviation for Protective Earth and has the same meaning as the symbol  .
Earth, Ground	This document uses the term "earth" which is the same as the U.S. term "ground".
T.b.d.	To be defined, value or description will follow later.
DC 24V	A figure displayed with the AC or DC before the value represents a nominal voltage with standard tolerances (usually ±20%) included. E.g.: DC 12V describes a 12V battery disregarding whether it is full (13.7V) or flat (10V)
24Vac	A figure with the unit (Vac) at the end is a momentary figure without any additional tolerances included.

DISCLAIMER

The information presented in this document is believed to be accurate and reliable and may change without notice.

5. INPUT AND OUTPUT CHARACTERISTICS

Number of inputs	nom.	2	
Number of outputs	nom.	1	
Input voltage	nom.	DC 24V	
Input voltage range	-	10-60Vdc	
Voltage drop, input to output	typ.	0.85V	At 2x10A, see Fig. 5-1
Input current	max.	2x 12.5A	Continuous, 1+1 Redundancy, see Fig. 5-2
	max.	2x 10A	Continuous, N+1 Redundancy, see Fig. 5-3
	max.	1x 20A	Continuous, Single use, see Fig. 5-4
Input current	max.	2x 18.5A	Up to 5s, 1+1 Redundancy, continuous, see Fig. 5-2
	max.	2x 15A	Up to 5s, N+1 Redundancy, continuous, see Fig. 5-3
	max.	1x 30A	Up to 5s, Single use, continuous, see Fig. 5-4
Peak input current	max.	150A	Max. 10ms, per input
Output current	max.	20A / 30A	Normal mode, continuous / up to 5s
	max.	25A / 37.5A	At overload or short-circuit, continuous / up to 5s
Reverse current	max.	2mA	Per input, -25°C to +60°C
Reverse voltage	max.	200Vdc	Voltage applied to the output, continuously allowed

Note: Ensure that the continuous output current does not exceed 25A. Check the short-circuit current of the power sources and if the power source can deliver more than 25A, use an appropriate fuse on the output.

Fig. 5-1 Voltage Drop

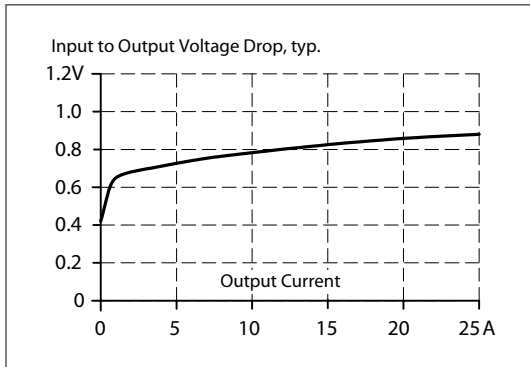


Fig. 5-2 1+1 Redundancy

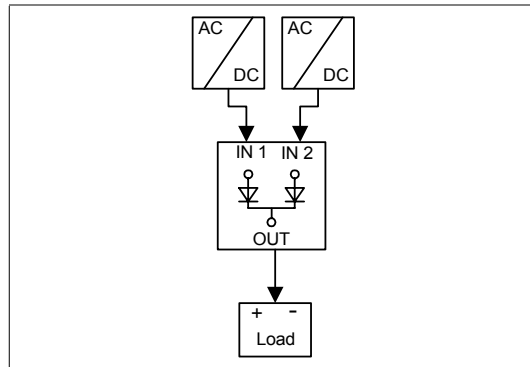


Fig. 5-3 N+1 Redundancy

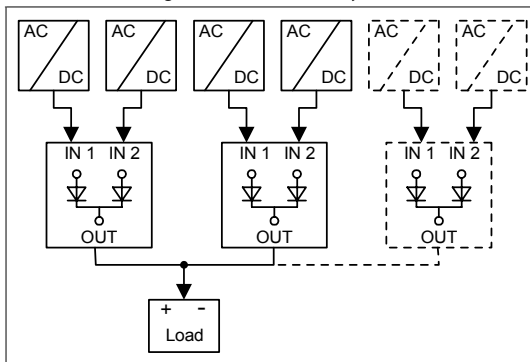
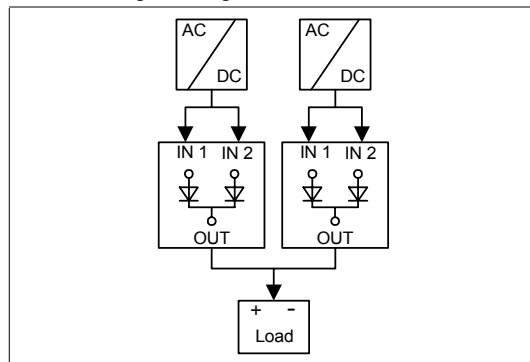


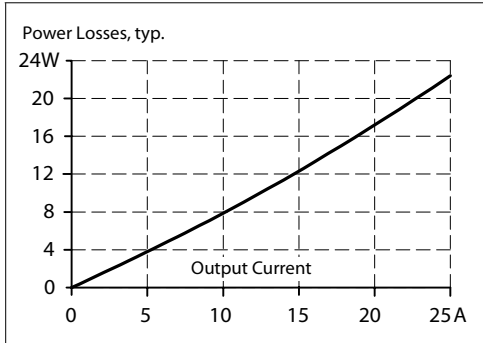
Fig. 5-4 Single use (redundant)



6. POWER LOSSES

Power losses	typ.	3.6W	10-60Vdc, 5A output current, see	Fig. 6-1
	typ.	7.85W	10-60Vdc, 10A output current, see	Fig. 6-1
	typ.	17.0W	10-60Vdc, 20A output current, see	Fig. 6-1

Fig. 6-1 Power losses vs. output current



7. RELIABILITY

DC 24V

Lifetime expectancy	min.	> 25 years	40°C, input: 2x10A, output: 20A, no electrolytic capacitors involved
	min.	> 25 years	40°C, input: 2x5A, output: 10A, no electrolytic capacitors involved
	min.	> 25 years	25°C, input: 2x10A, output: 20A, no electrolytic capacitors involved
MTBF SN 29500, IEC 61709		46 500 000h	40°C, input: 2x10A, output: 20A
		70 000 000h	25°C, input: 2x10A, output: 20A
MTBF MIL HDBK 217F		36 200 000h	40°C, input: 2x10A, output: 20A, Ground Benign GB40
		41 100 000h	25°C, input: 2x10A, output: 20A, Ground Benign GB25

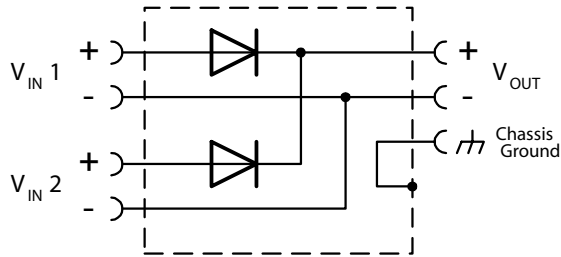
The Lifetime expectancy shown in the table indicates the operating hours (service life) and is determined by the lifetime expectancy of the built-in electrolytic capacitors.

Lifetime expectancy is specified in operational hours. Lifetime expectancy is calculated according to the capacitor's manufacturer specification. The prediction model allows a calculation of up to 15 years from date of shipment.

MTBF stands for Mean Time Between Failure, which is calculated according to statistical device failures, and indicates reliability of a device. It is the statistical representation of the likelihood of the unit to fail and does not necessarily represent the life of a product.

8. FUNCTIONAL DIAGRAM

Fig. 8-1 Functional diagram



9. FRONT SIDE AND USER ELEMENTS

Fig. 9-1 Front side

Input Terminals
Quick-connect spring-clamp terminals, no tools required

- + Positive input
- Negative (return) input

Output Terminals
Quick-connect spring-clamp terminals, no tools required

- + Positive output
- Negative (return) output

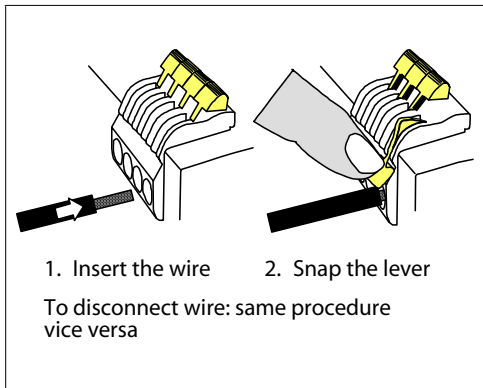
Chassis ground
Optionally to connect to PE

See chapter 10 "Terminals and Wiring" to choose appropriate wire gauges

10. TERMINALS AND WIRING

Type	Bi-stable, quick-connect spring clamp terminals. I P20 Finger safe construction. Suitable for field- and factory installation. Shipped in open position.
Solid wire	0.5-6mm ²
Stranded wire	0.5-4mm ²
American wire gauge	20-10 AWG
Ferrules	Allowed, but not required
Wire stripping length	10mm / 0.4inch
Pull-out force	10AWG:80N, 12AWG:60N, 14AWG:50N, 16AWG:40N (according to UL486E)

Fig. 10-1 Connecting a wire



Instructions:

- Use appropriate copper cables that are designed for an operating temperature of:
60°C for ambient up to 45°C and
75°C for ambient up to 60°C minimum.
- Follow national installation codes and installation regulations!
- Ensure that all strands of a stranded wire enter the terminal connection!
- Up to two stranded wires with the same cross section are permitted in one connection point (except PE wire).
- Do not use the unit without PE connection.

11. EMC

The decoupling module is suitable for applications in industrial environment as well as in residential, commercial and light industry environment without any restrictions. CE mark is in conformance with EMC guideline 89/336/EEC and 93/68/EEC and the low-voltage directive (LVD) 73/23/EEG. A detailed EMC Report is available upon request

EMC Immunity	EN 61000-6-1 EN 61000-6-2	Generic standards		
Electrostatic discharge	EN 61000-4-2	Contact discharge Air discharge	8kV 15kV	Criterion A Criterion A
Electromagnetic RF field	EN 61000-4-3	80MHz-1GHz	10V/m	Criterion A
Fast transients (Burst)	EN 61000-4-4	Input Output	2kV 2kV	Criterion A Criterion A
Conducted disturbance	EN 61000-4-6	0.15-80MHz	10V	Criterion A

Criteria:

A: Device shows normal operation behavior within the defined limits.

EMC Emission	EN 61000-6-3 and EN 61000-6-4	Generic standards		
Conducted emission	EN 55011, EN 55022, FCC Part 15, CISPR 11, CISPR 22 EN 55022	Class B, input lines Class B, output lines		
Radiated emission	EN 55011, EN 55022	Class B		

This device complies with FCC Part 15 rules.

Operation is subjected to following two conditions: (1) this device may not cause harmful interference, and (2) this device must accept any interference received, including interference that may cause undesired operation.

12. ENVIRONMENT

Operational temperature	-25°C to +70°C (-13°F to 158°F)	Reduce output power above +60°C	
Output de-rating	0.5A/°C	60-70°C (140°F to 158°F), see	Fig. 12-1
Storage temperature	-40°C to +85°C (-40°F to 185°F)	Storage and transportation	
Humidity	5 to 95% r.H.	IEC 60068-2-30	Do not energize while condensation is present
Vibration sinusoidal	2-17.8Hz: ±1.6mm; 17.8-500Hz: 2g 2 hours / axis	IEC 60068-2-6	
Vibration random	0.5m ² (s ³) 2 hours / axis	IEC 60068-2-64	
Shock	30g 6ms, 20g 11ms 3 bumps / direction, 18 bumps in total	IEC 60068-2-27	
Altitude	0 to 6000m (0 to 20 000ft)	Reduce output power or ambient temperature above 2000m sea level.	
Output de-rating (for altitude)	1.25A/1000m or 5°C/1000m	Above 2000m (6500ft), see	Fig. 12-2
Over-voltage category	III	EN 50178, (for clearance and creepage distances)	
Degree of pollution	2	EN 50178, not conductive	

Fig. 12-1 Output current vs. ambient temp.,

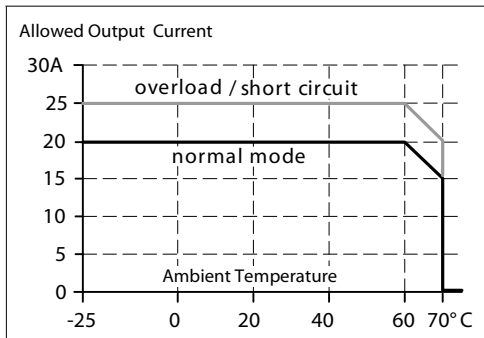
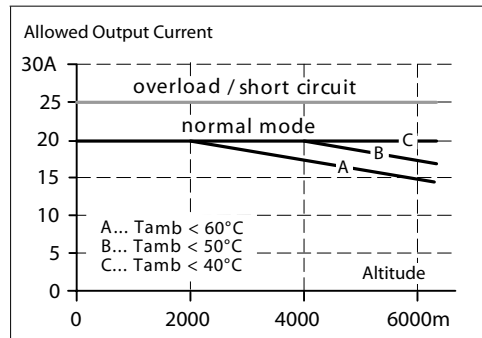


Fig. 12-2 Output current vs. altitude



The ambient temperature is defined as the air temperature 2cm below the unit.

13. PROTECTION FEATURES

Output over-current protection not included

Degree of protection	IP 20	EN/IEC 60529
Penetration protection	> 3.5mm	E.g. screws, small parts
Over-temperature protection	no	
Input transient protection	no	
Internal input fuse	not included	

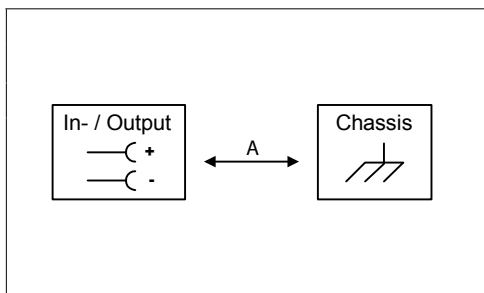
Note: In case of a protection event, audible noise may occur.

14. SAFETY

Input / output separation	200V Epitaxial diode	
Class of protection	III	PE (Protective Earth) connection not mandatory
PE resistance	< 0.1Ohm	Between housing and PE terminal

15. DIELECTRIC STRENGTH

Fig. 15-1 Dielectric strength



The input and output voltage is floating and has no ohmic connection to ground.

		A
Type test	60s	500Vac
Factory test	5s	500Vac
Field test	5s	500Vac

Type tests and factory tests:





Conducted by the manufacturer. Do not repeat test in field!

Rules for field test:

Use appropriate test equipment which applies the voltage with a slow ramp!

During testing, connect all output and input poles together.

16. APPROVALS

UL 508		LISTED E198865 listed for use in U.S.A. (UL 508) and Canada (C22.2 No. 14-95) Industrial Control Equipment
UL 60950-1		RECOGNIZED E137006 recognized for the use in U.S.A. (UL 60950-1) and Canada (C22.2 No. 60950) Information Technology Equipment
UL 1604		RECOGNIZED E246877 recognized for use in U.S.A. (UL 1604) and Canada (C22.2 No. 213-M1987) Hazardous Location Class I Div 2 T4 Groups A,B,C,D and Class I Zone 2 Groups IIA, IIB and IIC The unit is suitable for use in Class I Division 2 Groups A, B, C, D locations as well as for Class I Zone 2 Groups IIA, IIB and IIC locations. Substitution of components may impair suitability for Class I Division 2 environment. Do not disconnect equipment unless power has been switched off. Wiring must be in accordance with Class I, Division 2 wiring methods of the National Electrical Code, NFPA 70, and in accordance with other local or national codes.
Marine		GL (Germanischer Lloyd) classified and ABS (American Bureau for Shipping) PDA for marine and offshore applications. Environmental category: C, EMC2

17. FULFILLED STANDARDS

EN/IEC 60204-1	Safety of Electrical Equipment of Machines
EN/IEC 61131-2	Programmable Controllers
EN 50178	Electronic Equipment in Power Installations

18. USED SUBSTANCES

The unit does not release any silicone and is suitable for the use in paint shops.

Electrolytic capacitors included in this unit do not use electrolytes such as Quaternary Ammonium Salt Systems.

Plastic housings and other molded plastic materials are free of halogens, wires and cables are not PVC insulated.

The production material within our production does not include following toxic chemicals:
Polychlorized Biphenyl (PCB), Polychlorized Terphenyl (PCT), Pentachlorophenol (PCP), Polychlorinated naphthalene (PCN), Polybrom Biphenyl (PBB), Polybrom Biphenyl-oxyl (PBO), Polybrominated Diphenylether (PBDE), Polychlorinated Diphenylether (PCDE), Polydibromophenyl Oxyl (PBDO), Cadmium, Asbest, Mercury, Silica

19. PHYSICAL DIMENSIONS AND WEIGHT

Weight 290g / 0.64lb

DIN-Rail Use 35mm DIN-rails according to EN 60715 or EN 50022 with a height of 7.5 or 15mm.

The DIN-rail height must be added to the depth (102mm) to calculate the total required installation depth.

Electronic files with mechanical data can be downloaded at www.pulspower.com

Fig. 19-1 Front view

Fig. 19-2 Side view

20. INSTALLATION AND OPERATION INSTRUCTIONS

Mounting Orientation:

Input terminal must be located on top and output terminal on the bottom. For other orientations see section 22.9

Cooling:

Convection cooled, no forced cooling required. Do not cover ventilation grid (e.g. cable conduits) by more than 30%!

Installation clearances:

40mm on top, 20mm on the bottom, 5mm on the left and right side are recommended when loaded permanently with full power. In case the adjacent device is a heat source, 15mm clearance is recommended.

Risk of electrical shock, fire, personal injury or death!

Turn power off before working on the module. Protect against inadvertent re-powering.

Make sure the wiring is correct by following all local and national codes.

Do not open, modify or repair the unit.

Use caution to prevent any foreign objects from entering into the housing.

Do not use in wet locations or in areas where moisture or condensation can be expected.

Service parts:

The unit does not contain any serviceable parts.

21. ACCESSORY

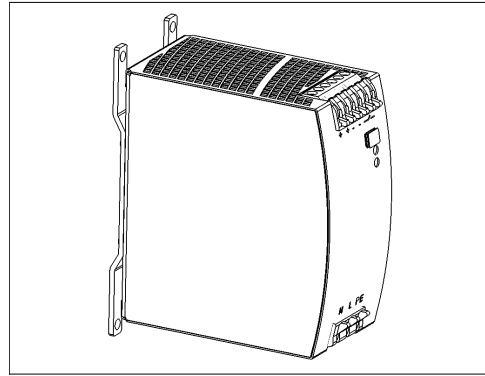
ZM1.WALL Wall mounting bracket

This bracket is used to mount Dimension units onto a flat surface without utilizing a DIN-Rail. The two aluminum brackets and the black plastic slider of the unit have to be detached, so that the two steel brackets can be mounted.

Fig. 21-1 ZM1.WALL Wall Mounting Bracket



Fig. 21-2 Assembled Wall Mounting Bracket



ZM11.SIDE Side mounting bracket

This bracket is used to mount Dimension units sideways with or without utilizing a DIN-Rail. The two aluminum brackets and the black plastic slider of the unit have to be detached, so that the steel brackets can be mounted.

For sideways DIN-rail mounting, the removed aluminum brackets and the black plastic slider need to be mounted on the steel bracket.

Fig. 21-3 ZM11.SIDE Side Mounting Bracket
(Picture shows a mounted QS10 power supply)

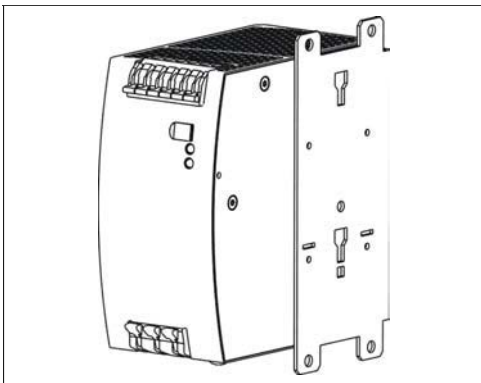
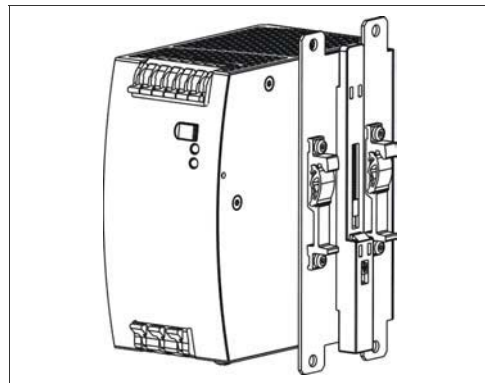


Fig. 21-4 Side Mounting with DIN-rail brackets
(Picture shows a mounted QS10 power supply)



22. APPLICATION NOTES

22.1. RECOMMENDATIONS FOR REDUNDANCY

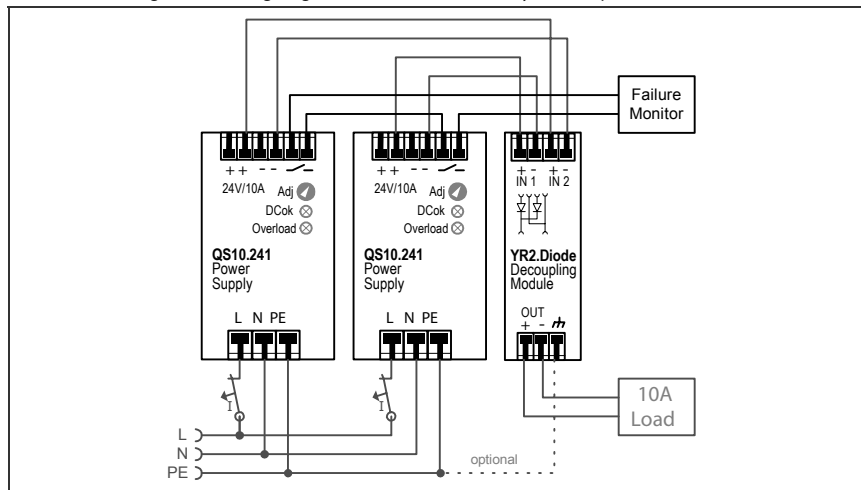
Recommendations for the configuration of redundant power systems:

- Use separate input fuse for each power supply.
- It is desirable to set the output voltages of all power supplies to the same value to avoid a false signal of the DC-ok signal.
- Use Three-phase power supplies to gain functional safety if one phase fails.
- When Single-phase power supplies are utilized connect them to different phases or mains circuits.
- Use both inputs in parallel for currents above 10A.

22.2. 1+1 REDUNDANCY UP TO 10A

1+1 Redundancy up to 10A requires two 10A power supplies and one YR2.DIODE decoupling module.

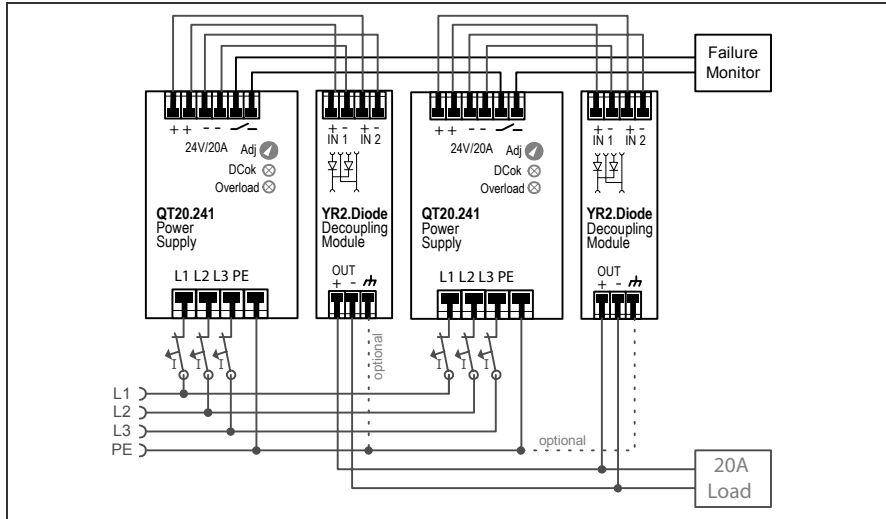
Fig. 22-1 Wiring diagram, 1+1 Redundancy, 10A output current



22.3. 1+1 REDUNDANCY UP TO 20A

1+1 Redundancy up to 20A requires two 20A power supplies and two YR2.DIODE decoupling modules.

Fig. 22-2 Wiring diagram, 1+1 Redundancy, 20A output current



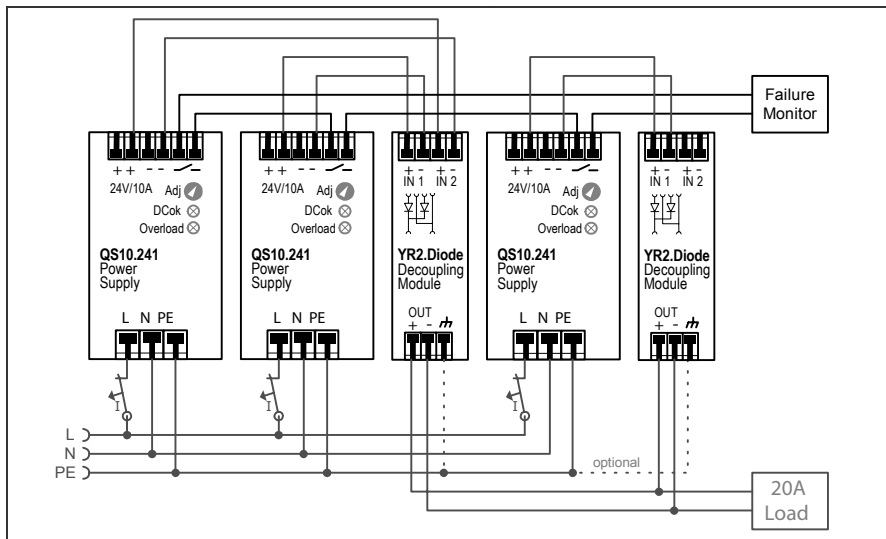
22.4. N+1 REDUNDANCY, EXAMPLE WITH 20A

N+1 Redundancy with 20A requires three 10A power supplies and two YR2.DIODE decoupling modules.

Please note:

The DC-ok signal on the DIMENSION Q-Series will only work properly if the adjusted output voltage of each power supply will be reached after turning-on the input power. A power supply operating in current limiting mode will result in a DC-fail condition. Read notes in the individual power supply datasheets.

Fig. 22-3 Wiring diagram, N+1 Redundancy, example with 20A load current



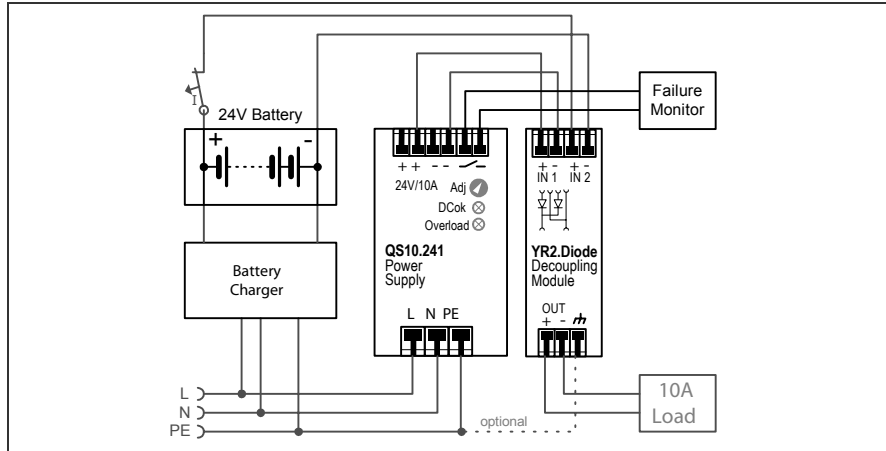
22.5. BATTERY BACK-UP

A battery back-up with 10A requires one 10A power supply and one YR2.DIODE decoupling module.

Please note:

Set output voltage of power supply to 26.5Vdc minimum to avoid that the charger current flows to the load instead of charging the battery. Use a fuse between battery and YR2.DIODE!

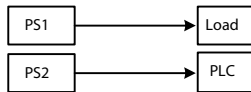
Fig. 22-4 Wiring diagram, 10A Battery back-up



22.6. REDUNDANCY FOR SENSITIVE LOADS

Cost effective solution to get redundant power for a PLC or controller system.

Standard design:



Improved approach:

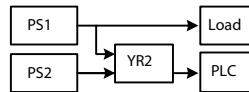
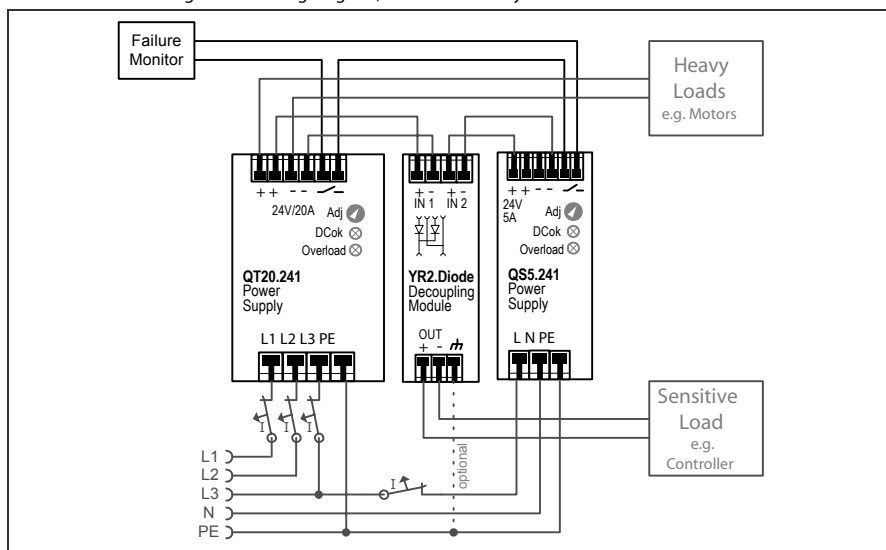


Fig. 22-5 Wiring diagram, Redundancy for Sensitive Loads



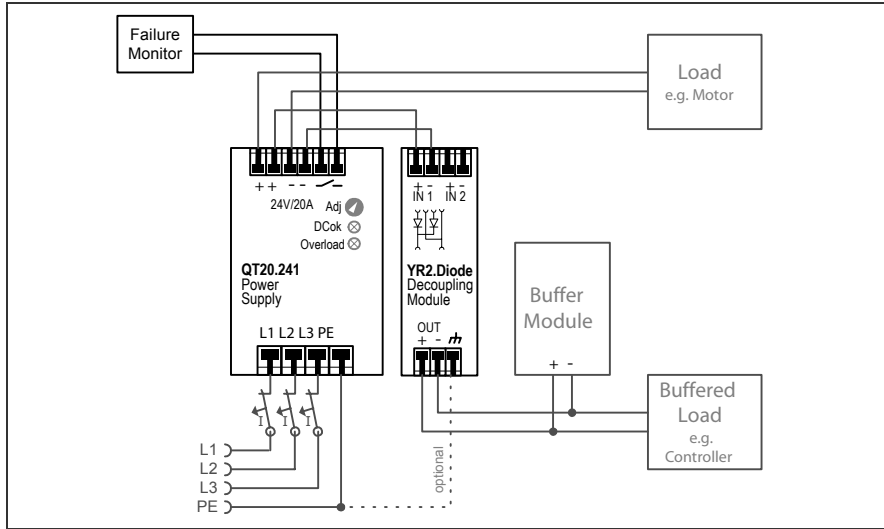
22.7. DECOUPLING OF BUFFERED BRANCHES

Buffer energy supplied from a DC-UPS or buffer module is not wasted in "power branches".

Please note:

Set output voltage of the power supply to a level that the buffer unit or DC-UPS will not start unexpectedly. Take the voltage drop of the YR2.DIODE into account.

Fig. 22-6 Wiring diagram, Decoupling of Buffered Branches



22.8. USE IN A TIGHTLY SEALED ENCLOSURE

When the decoupling module is installed in a tightly sealed enclosure, the temperature inside the enclosure will be higher than outside. The inside temperature defines the ambient temperature for the decoupling module.

Results from such an installation:

Power supply is placed in the middle of the box, no other heat producer inside the box

Enclosure: Rittal Typ IP66 Box PK 9516 100, plastic, 110x180x165mm

Load: 24V, 16A; (=80%) load is placed outside the box

Input: 24Vdc

Temperature inside enclosure: 57.8°C (in the middle of the right side of the power supply with a distance of 2cm)

Temperature outside enclosure: 24.6°C

Temperature rise: 33.2K

22.9. MOUNTING ORIENTATIONS

Mounting orientations other than vertical require a reduction in continuous output current or a limitation in the max. allowed ambient temperature. The amount of reduction influences the lifetime expectancy of the power supply. Therefore, two different derating curves for continuous operation can be found below:

Curve A1 Recommended output current.

Curve A2 Max allowed output current (results approx. in half the lifetime expectancy of A1).

Fig. 22-7
Mounting
Orientation A
Standard
Orientation

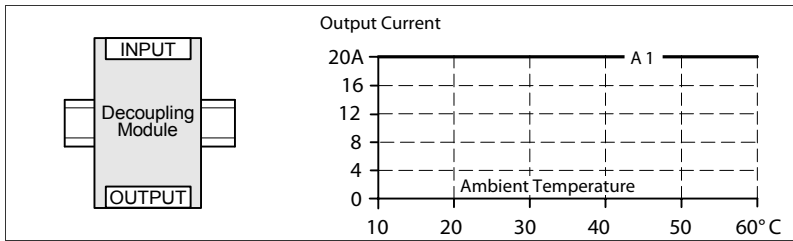


Fig. 22-8
Mounting
Orientation B
(Upside down)

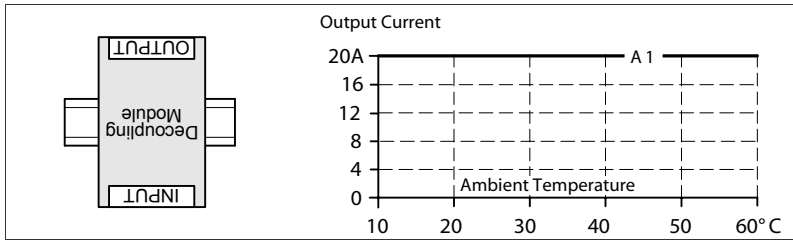


Fig. 22-9
Mounting
Orientation C
(Table-top
mounting)

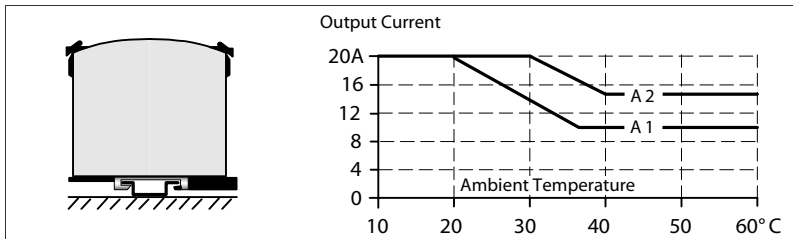


Fig. 22-10
Mounting
Orientation D
(Horizontal cw)

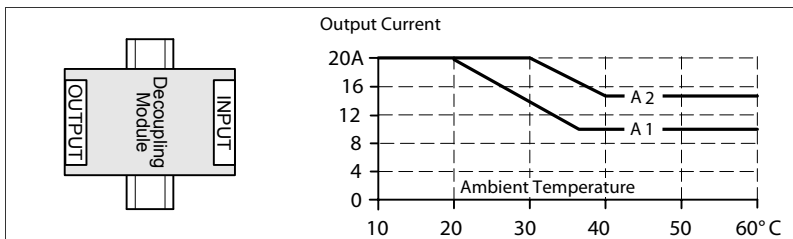


Fig. 22-11
Mounting
Orientation E
(Horizontal ccw)

