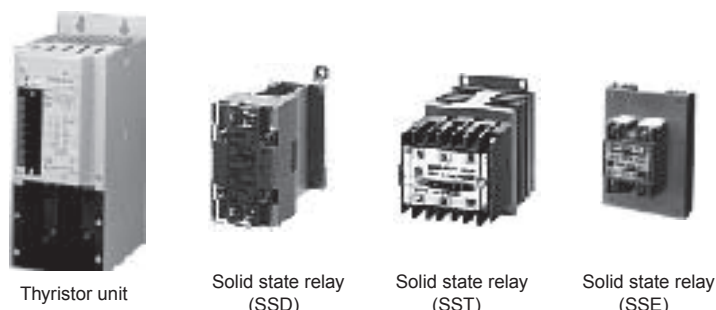


THYCO-10



Features

Thyristor Unit (Phase angle control type)

Phase angle control

Model PHB of the THYCO-10 series is a power controller with phase angle control.

Phase angle control provides accuracy through cutting part of the sine semi wave to control the power supply to the load.

Available in ratings from 20 to 200 amps

Model PHB is available in load current ratings from 20 to 200 amps, and in power supply voltage from 100 to 440VAC.

Wide variety of functions

Soft-start function is standard for all models.

As optional functions, Auto/manual transfer, output v.s. input signal ratio setting, fast-blow fuse, and fast-blow fuse break alarm are available.

Solid State Relay

Zero-cross control

Three models, SSE, SSD and SST are solid state relays with zero-cross control.

SSE: Single phase

SSD: Single phase, DIN rail mounting type

SST: Three phases

Available in ratings from 10 to 30 amps

Model SS□ is available in load current ratings from 10 to 30 amps.

Variety of functions

The input lamp enables you to check the input signal from the controller.

The input side and the output side are completely isolated.

Optional solid-state element failure detecting function allows you to find the place of failure.

Model and Suffix Code

Thyristor (Phase angle control) unit

Specifications	Model and Suffix Code						
Model	□ □ PHB- □ □ □ □						
Phase type	Single phase	1					
	Three phases	3					
Supply voltage	100V AC, 110V AC (Specify either) 200V AC, 220V AC (Specify either) 380V AC 400V AC, 440V AC (Specify either)	• Single-phase type only.	1				
			2				
			3				
			4				
Control type	Phase control type			PHB			
Rated current	20A AC Maximum 30A AC Maximum 50A AC Maximum 70A AC Maximum 100A AC Maximum 200A AC Maximum				020		
					030		
					050		
					070		
					100		
					200		
Load type	Linear (Resistive) load Inductive (L) load					R	
						L	
Input signal	1 to 5V DC 4 to 20mA DC						6
							8
Options & nonstandard supply voltage	Auto/manual transfer, output v.s. input signal ratio setting Fuse break alarm (Available with fast-blow fuse function) High / Low control With fast-blow fuse Customized power supply voltage (Specify the voltage when ordering)						- 1 - 4 - 5 - F - T

SSR Unit

Specifications	Model and Suffix Code	
Model	Single phase SSR (DIN-rail)	SSD □ F □
	Three phases SSR	SST □ F □
Rated current	10A AC 20A AC 30A AC	10 20 F 30
Function	Parallel connection function *1 Solid-state element break detect function	N A

*1: Three-phase SSR is not available for this function.

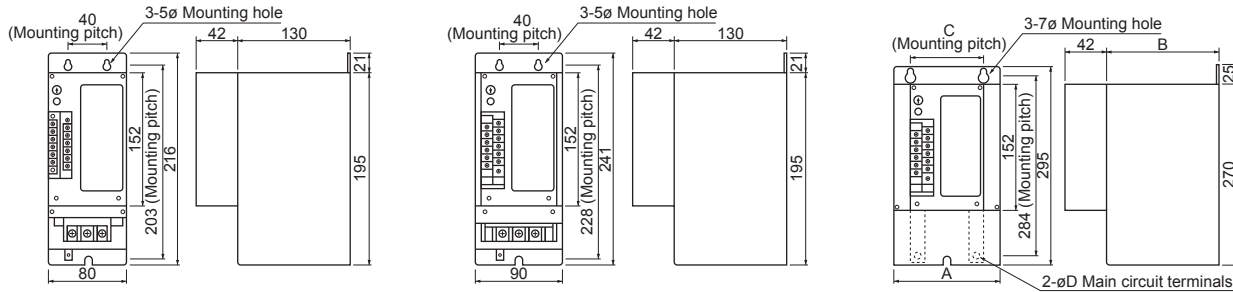
SSR Unit (Normal type)

Specifications	Model and Suffix Code	
Model	Single phase SSR	SSE □ C □
Rated current	10A AC 20A AC 30A AC	10 20 C 30
Radiation fin	Without fin With fin	No symbol F

External Dimensions

Unit:mm

Single-phase thyristor unit: 1□ PHB

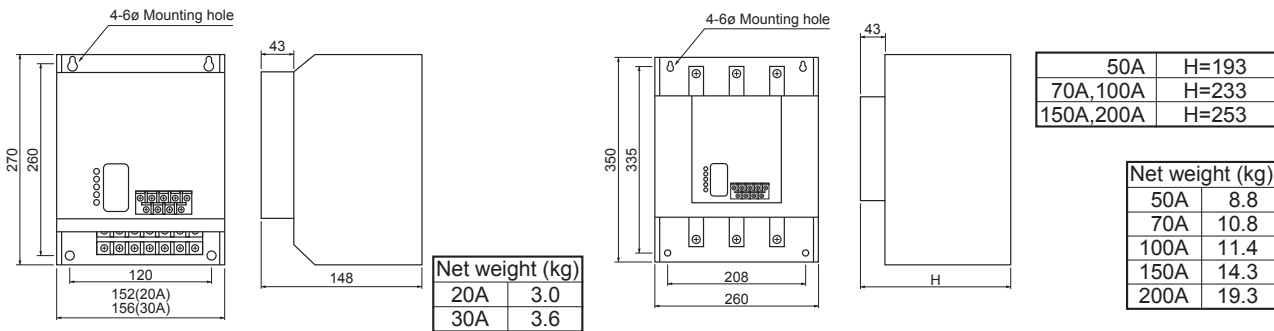


Net weight (kg)	
20A	1.9
30A	2.1

Net weight (kg)	
50A	2.7

	70A,100A	150A,200A	Net weight (kg)
A	120	140	70A 4.2
B	177	222	100A 5.0
C	60	80	150A 7.4
φD	8.5	10.5	200A 7.4

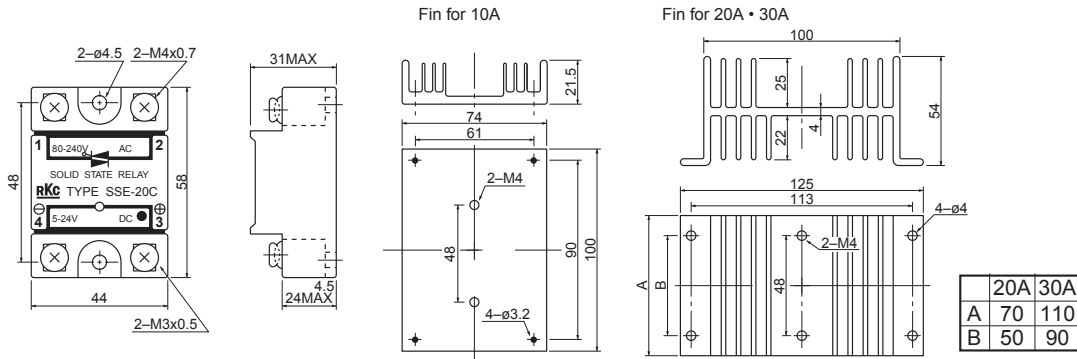
Three-phase thyristor unit: 3□ PHB



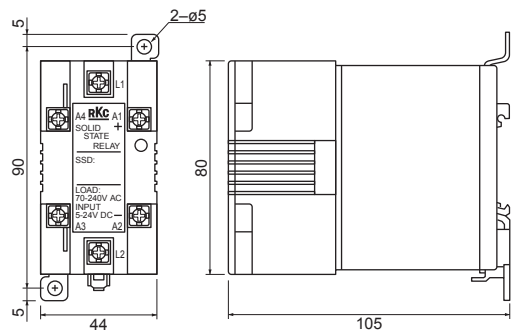
Net weight (kg)	
20A	3.0
30A	3.6

Net weight (kg)	
50A	8.8
70A	10.8
100A	11.4
150A	14.3
200A	19.3

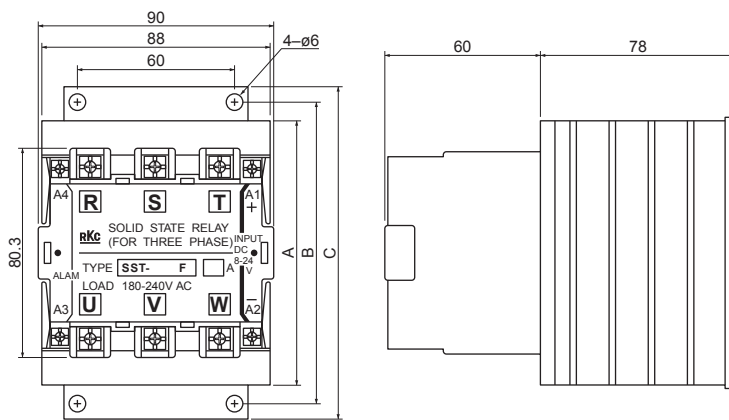
Single-phase SSR unit (Normal type): SSE



Single-phase SSR unit (DIN-rail type): SSD



Three-phase SSR unit: SST



	A	B	C
SST-10F□	80	92	104
SST-20F□	100	113	125
SST-30F□	145	158	170